

SANTOS

Care and maintenance instructions
Guarantee

Index

Introduction	3
Cleaning: general instructions	4
Cleaning: specific instructions	6
Safety in the kitchen	13
Maintenance instructions	17
Certificate of guarantee	24

Dear user:

The kitchen you have just purchased has been manufactured following the Santos philosophy, whose priorities are comfort, simplicity in cleaning, storage capacity, and the durability of its materials.

Our kitchens offer the maximum functionality without giving up beauty, contributing to create optimal spaces that are practical and cosy.

Day after day, while you work, you will discover the multiple solutions your kitchen offers you to make the daily chores easier.

Following, we invite you to become familiar with a series of recommendations that will help you keep your kitchen like new during much longer.

Thank you very much for your confidence.

Cleaning: general instructions

For a correct maintenance of your kitchen cabinets and equipment, periodic cleaning is required. Keep in mind that stains will dry out with time, making the process more difficult.

Never use scouring pads or aggressive substances that could damage the cabinet's surface: bleach, thinners, turpentine, acetone, stain removers, ammoniac, etc.



To eliminate normal stains, use a cloth dampened in water and a neutral detergent, and following, wipe dry with a soft cotton cloth.

To eliminate more resistant stains, use a sponge dipped in water and neutral detergent first, and following wipe dry the whole surface and edges with a soft cotton cloth or cellulose towel.

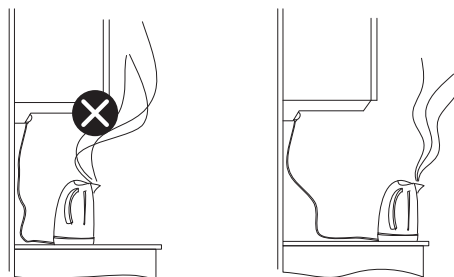
A continued contact with water vapor or excess heat will damage the furniture. This is why it is essential:

- Always cook with the extractor hood on. To avoid excess grease from depositing on the cabinets, clean the hood filter on a regular basis, replacing it whenever necessary.
- In case of condensation or spillage of liquids, dry the cabinet's doors and carcass with a cotton cloth or cellulose towel.

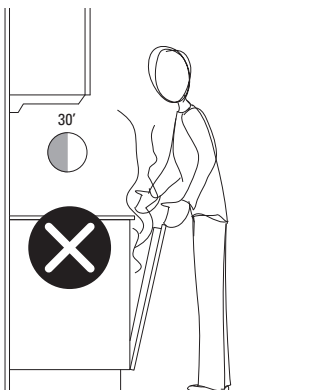
- Do not use cleaning appliances that work with water vapor.



- Do not use coffee machines or any other small appliances under the hanging wall units.



- Do not open the dishwasher door during the next 30 minutes after the washing program has come to an end.



Cleaning: specific instructions

Melamine and laminate fronts

Melamine and laminate Santos fronts have a high resistance to heat and damp.

Although the glues used to edge the fronts guarantee a perfect seal, an extended contact with any liquid should be avoided.

To clean, follow the general instructions previously stated.

Silk LAH laminate fronts

Despite the durability of laminate finishes, they should never be scrubbed with a scouring pad, steel wool or any other rough material.

Avoid the use of polishers and wax cleaners, as they tend to leave a layer that makes it difficult to clean doors.

If the stains are dry, apply neutral soap diluted in warm water and allow it to act until the dirt reacts. Then dry the surface and edges of the door with a cotton cloth.

For more persistent stains, we recommend using isopropyl or rubbing alcohol diluted in water. The cloth should be completely clean to avoid leaving marks on the surface. The alcohol should never come into contact with the edges of the doors. Follow the product safety instructions carefully. Use the alcohol in a well-ventilated space and wear suitable goggles and protective gloves.

Lacquered fronts

Lacquered Santos fronts undergo a strict quality control that certifies their resistance. Their correct maintenance requires a careful cleaning process in which the general instructions previously stated are carried out.

To remove resistant stains, and only in the case of high gloss lacquer, the fronts could be cleaned using some ethyl alcohol very diluted in water.

In case that some lacquer chips due to a knock, proceed to apply a drop of "Touch up Paint" supplied with the kitchen. If you do not have a bottle of "Touch up Paint", you can ask for one at your local dealer.

Veneered fronts

The veneers used on Santos fronts are made with high quality wood.

Each tree is unique, and as such, different batches may vary significantly in terms of colour and grain. Furthermore, the natural oxidation of wood helps to bring out its colours and shades, endowing the kitchen with an exclusive character. For this reason, any differences in the wood will not be considered as acceptable grounds for complaint.

The fronts' surface is protected with varnishes that have been tested in reputable laboratories, although they cannot prevent damages due to aggressive cleaning or continued infiltration of water and vapor.

In order to keep them in a perfect condition, we recommend following the general cleaning instructions, also keeping in mind that we advise against the use of products containing wax.

Glass fronts

To clean these elements correctly, follow the steps we hereby mention:

- Remove any dust from the frame and glass surface with a clean and dry cloth.
- Dampen a cellulose towel or cotton cloth without fuzz with water or glass cleaner.
- Clean gently, without rubbing, all the surface with a cloth.
- Wipe dry with a clean cloth or paper towel.

We totally advise against the use of aggressive products or products containing thinners.

Fronts with built-in or recessed handles

The concentration of liquids caused by spills or the accumulation of moisture during the cleaning of these handles must be wiped immediately. Otherwise, moisture will filter into the front, causing irreparable damage. Damages produced by this kind of misuse will not be accepted as grounds for complaints.

Plinths, handles and other aluminium elements

To clean the aluminium elements in your kitchen, use a wet sponge soaked in water and neutral detergent, rubbing in the direction of the finish. Then rinse and wipe dry with a soft cloth that does not leave fuzz.

When dealing with stubborn stains, you can use burning alcohol mixed with water, which must then be dried off with a cotton cloth or cellulose towel.

The use of scouring pads or abrasive creams is not recommended, as they may damage the surface.

Steel fronts and handles

The elements in stainless steel at Santos are known for their high resistance. Although its superficial finish gradually alters due to friction, this does not imply loss of natural sheen nor does it affect its properties of durability.

To clean, use a wet sponge soaked in water with neutral detergent, rubbing in the direction of the polished finish. Next, clean with abundant water and dry using a soft cotton cloth.

To bring out the shine in the steel, you can use a specific product or use burning alcohol diluted in water.

We advise against the use of scouring pads, abrasive creams and substances that could damage the surface (bleach, grease removers and powder detergent).

Laminate or solid wood worktops

To clean these types of surfaces, follow the general cleaning instructions, also keeping in mind the following recommendations:

- Do not place hot objects on the worktop since they could cause irreversible damages.
- Do not use the worktop as a surface to cut or chop food.
- Do not place liquids on the worktop for an extended amount of time, since they could cause infiltrations.

Veneered and solid wood surfaces

These surfaces can be easily cleaned with a cloth dampened with water. Always wipe with the grain. Avoid using household cleaners.

- These surfaces are not suitable as working or chopping area.
- Always mop up spills of water and other liquids straight away.
- Do not stand hot pots or pans on the surface, not even on a trivet. In the case of chilled or hot drinks, always use coasters.

Wood and veneer worktops, veneered countertops and separator boxes are surfaces that are not suitable for food contact.

Safety in the kitchen

We recommend the use of large lower drawers to store crockery, pots and heavy utensils. Save the wall units for the storage of lighter items.

It is important not to exceed the weight limit in wall units. There exists danger of injury (see page 15).

When removing a door for cleaning, hold the door firmly before removing it from the unit.

Before changing a light bulb / strip LED lighting, turn off the main electrical switch and make sure the lamp is not hot.

Electrical connections and their maintenance should be performed exclusively by qualified technicians.

If you use toxic or corrosive cleaning products, always follow the manufacturer's instructions, using masks, gloves or any other necessary protection.

Before using a product described as flammable on the label, ensure there is no flame or smoke in the room.

Magnets can affect the proper functioning of electronic implants such as pacemakers or insulin pumps. People with this kind of implant should keep a safe distance away from magnets (about 10 cm away). There are only two possible locations where there might be magnets in your furniture:

- If your furniture has an opening system with door ejectors, these ejectors have magnets, which may be placed in different positions.
- 2 cm high skirting boards with magnets to hold them. In this case, they will be at ground level.

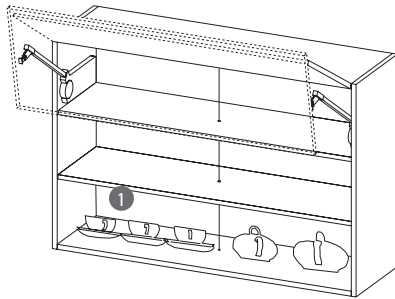
Safety in the kitchen also for your children:

- Keep all toxic, flammable and sharp products away from children.
- Do not allow children to play with doors and drawers. The kitchen furniture and its components must not be used for any other purposes than those for which they were designed.
- If you are working in the kitchen and there are children around, please make sure they stay away from the hob or the oven, if these are in use.
- Make sure that the opening in the multifunction trolley's drawer is locked when not in use.

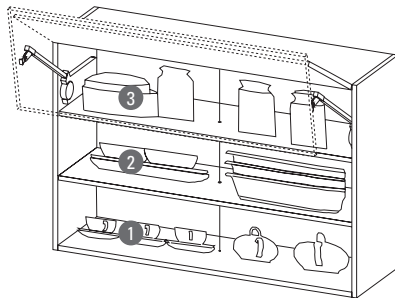
Shelves maximum load

In order to prevent the bending of the shelves, it is important not to overload them. The supported weight should never exceed 50 kg/m².

Following is an example of the maximum load per shelf and of the maximum load of the cabinet. These values apply to evenly distributed and carefully placed loads. They do not apply to fallen objects or dropped from some height.



Load 1 = 18 kg maximum

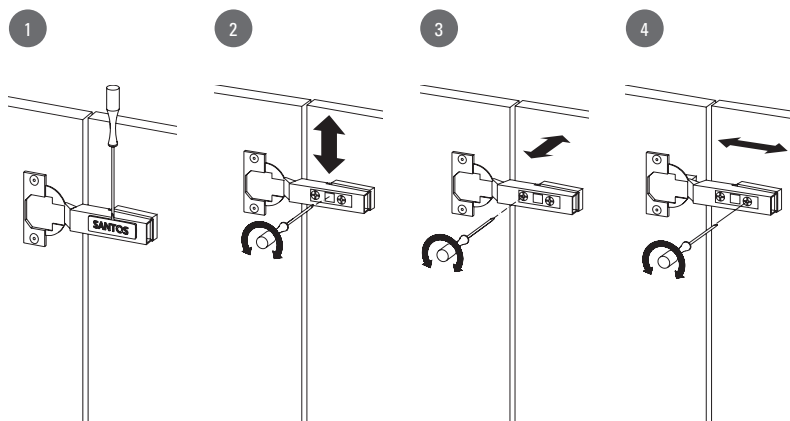


Load 1 + Load 2 + Load 3 = 75 kg maximum

Maintenance instructions

How to regulate a door hinge

- (1) Removing the arm cover cap
- (2) Vertical adjusting
- (3) Adjusting the distance between the front and the carcass of the unit
- (4) Horizontal adjusting

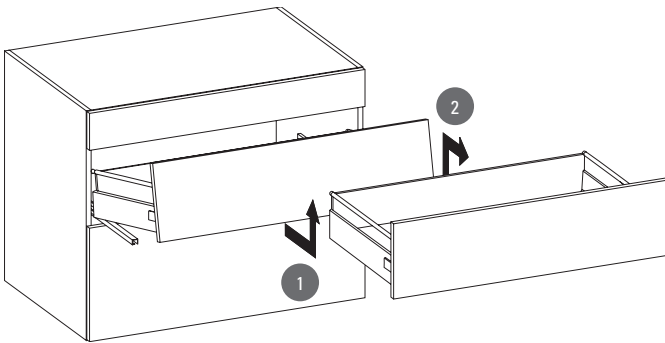


How to remove a drawer

Drawers can be removed to make cleaning the inside of the cabinet easier.

Once emptied and totally opened the drawer, pull it upwards (1) and while holding firmly, move outwards (2).

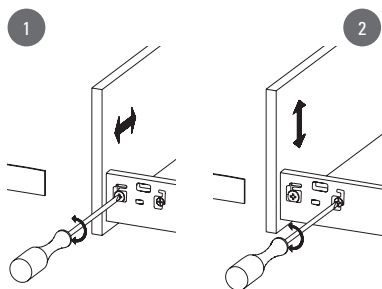
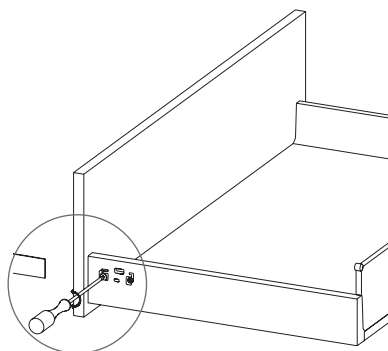
To put the drawer back in place, follow the previous instructions backwards.



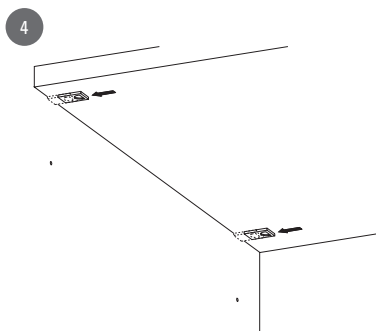
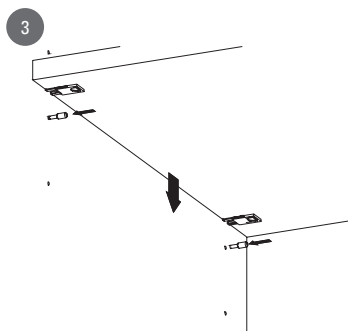
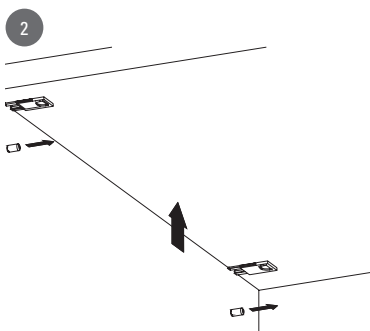
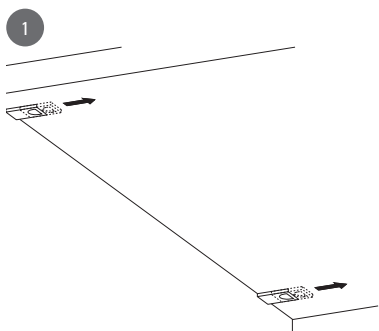
How to adjust a drawer front

The original position of the fronts and drawers can suffer some variations with the use and the passing of time.

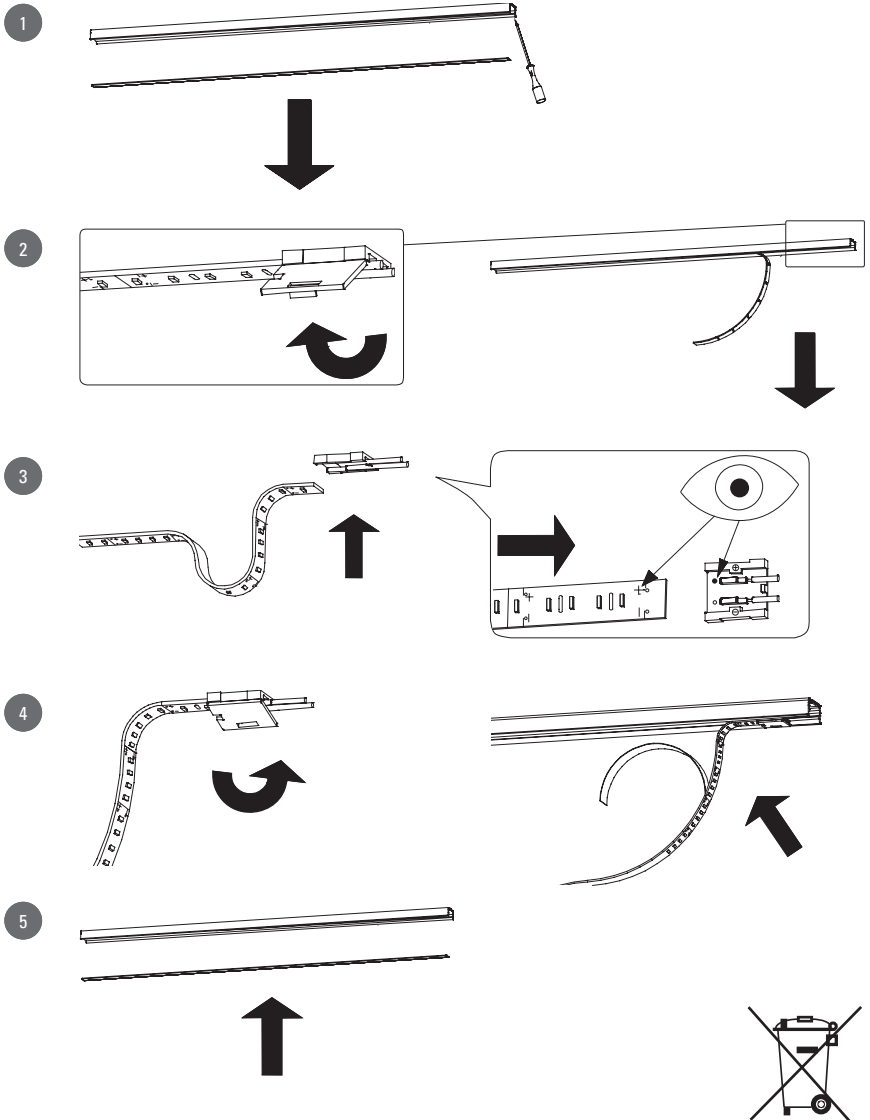
To adjust it again horizontally (1) or vertically (2), follow the instructions in the designs paying attention to the direction indicated by the arrows.



How to change the position of a shelf

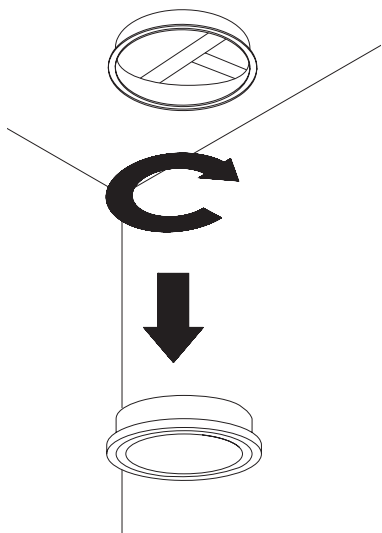


How to change a LED strip in the lighting profile

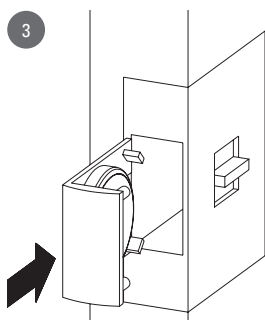
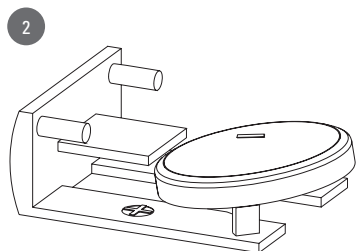
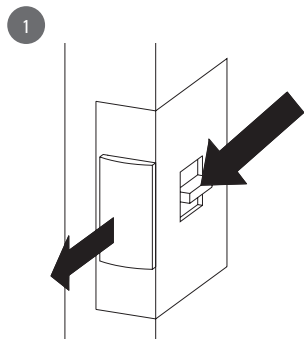


How to change a LED spotlight

To remove the LED spotlight, turn the lamp clockwise and pull downwards. To put in the replacement, reverse these steps.



How to change the battery of the electrical opening system switch



Certificate of guarantee

Santos Cocina y Baño, S.L.U., with registered offices in Camporrado, Boqueixón (A Coruña - Spain), VAT No. B-15383896, confirms that this kitchen complies with the UNE 56875 V2 standard relating to mechanical testing, surface and physical coatings, the UNE EN 16122 standard relating to strength testing, durability and stability and with the safety requirements set forth in standard UNE 14749.

All materials and components used in the manufacturing of Santos kitchen furnishings meet the general conditions for these products, established in the Spanish Food Code and its implementing provisions under RD 841/1985, as well as compliance with the Technical Health Regulations as Royal Decree 866/2008, 1125/82 and 397/90. Also with respect to the electromagnetic compatibility of the electrical and electronic equipment according to Royal Decree 186/2016 and Royal Decree Low Voltage 842/2002, Royal Decree 219/2013 concerning restrictions on hazardous substances, and Royal Decree 110/2015 concerning waste from electrical and electronic devices respectively.

Santos Cocina y Baño, S.L.U. offers a guarantee of its products for a period of FIVE YEARS from the date of delivery to the seller/dealer, the delivery date meaning the date on the corresponding invoice, in relation to any defects in the materials and workmanship that could affect its operation and use, except in the case of devices and electrical/electronic components, which have a two-year guarantee. In the case of consumables (bulbs, lamps, etc.) the Guarantee offered by Santos is for 40 days from delivery.

Santos also guarantees compliance with the specifications set forth in the purchasing documents.

The Guarantee covers the replacement and/or repair, free of charge, of the parts, components or furniture accepted as defective and not conforming to the specifications, after the inspection performed by the company's technicians or by personnel authorised for that purpose.

Costs of transport and labour, after the second year from the purchase of the kitchen, shall be the responsibility of the end user

Accessories, components and parts damaged by wear and tear are exempted from the guarantee

Over time and with exposure to sunlight, the materials will age and change colour. In the event of replacing or expanding your kitchen, these colour differences will not be considered as acceptable grounds for complaint.

Repair work may only be performed by personnel expressly authorised by Santos and shall be performed at a reasonable time and without significant inconvenience to the consumer.

The repair or replacement of the product shall suspend the calculation of the Guarantee period until the delivery of the new product, and the outstanding Guarantee period for the replaced original product shall resume, taking into account that the minimum Guarantee period for repair/replacement shall be two years.

Without prejudice to the rights that Legislative Decree 1/2007 dated 16 November, and additional rules, expressly recognises to the consumer and user, the validity of the guarantee is subject to the following rules:

- The product must be properly stored, handled and transported. Any responsibility for damages arising from improper use, storage and handling, as well as transport outside of the hands of Santos, is expressly excluded. Taking into account that the minimum Guarantee period for repair/replacement shall be two years.
- Proper installation of furniture and components, in particular with regard to electrical and electronic components. The responsibility for damage or defects caused by improper installation by the company that performed assembly at the site of the customer/user.
- Proper use, storage and maintenance of the same with respect to the characteristics of the different materials used in manufacturing, as specified in the instructions of this manual.

In case of any problems with your kitchen, contact your dealer as soon as possible. The consumer must inform the seller/dealer of the lack of compliance within two months from the moment he/she became aware of it. The breach of this term shall not entail the loss of the guarantee, but the consumer shall still be responsible for any damages and/or losses that may result from the delay in communication.

Catastrophic causes (such as fire, flooding, etc.), modifications or misuse of the product, as well as any other cause not pertaining to the manufacturer, are exempt from the guarantee.

This publication is the exclusive property of Santos Cocina y Baño S.L.U. and total or partial reproduction is prohibited and is protected by law.

The use, duplication, reproduction or sale of this publication may be done only with the express written permission of the owner.

Santos is not responsible for any typographic, chromatic or printing errors.

During its validity, Santos reserves the right to make changes to the features and technical specifications of the products, the design and the technical and design recommendations contained in this document. These changes, which shall meet market conditions as required or advised, may be made without notice, but efforts shall be made to transmit them to the user when necessary or convenient.

Successive versions of this document invalidate those which preceded them. Santos will try to put the new editions immediately at the disposal of users on our website: www.santos.es.

In the event of doubt or of discrepancy in the different language versions of this document, the Spanish version will prevail, and will constitute the document of reference.

© Santos Cocina y Baño S.L.U.
Camporrapado s/n
Boqueixón - A Coruña



